

# Technical data sheet

## UP Flush-mounted device connection socket 46, double version

Item number: 2003722



Double flush-mounted device box, for use in masonry with an installation depth of at least 46 mm.

- Connector with bayonet lock, couplable on both sides
- 4 combination pipe entries of Ø 20 and 25 mm
- 6 entries up to Ø 20 mm
- 2 entries up to Ø 20 mm in the base

Tested according to DIN EN 60670-1, DIN EN 60670-22 and DIN 49073-1.



**PP** Polypropylene

### Master data

Item number	2003722
Type	UG 46-DV
Description 1	UP Flush-mounted device box
Description 2	double combination
Available from	01.10.2021
Manufacturer	OBO
Dimension	2x Ø60xH46mm
Colour	deep black / blue grey
Material	Polypropylene
Smallest sales unit	10
Unit of quantity	Piece
Weight	3.72 kg
Weight unit	kg/100 pc.

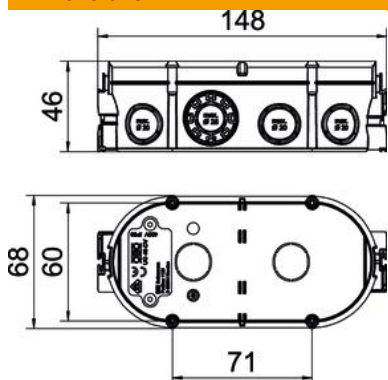
# Technical data sheet

## UP Flush-mounted device connection socket 46, double version

Item number: 2003722



### Dimensions



Length	148 mm
Width	68 mm
Height	46 mm

### Technical data

No. of entries	12
Type of insertion...	NYM cables, data cables and corrugated pipes
Type of housing penetration	Break-out opening
Version for	Double
Type	Accessory socket
Device fixing	Screws or spreading claws
Cover	Without
Cover fastening	Screws ,
Entry from rear	yes
Flame-resistant	acc. to VDE 0471/IEC 60695-2-11, test temperature 650°C
Shape	Oval
for pipe diameter	20/25 mm
Halogen-free	yes
Combination entries Ø 20 / 25 mm	4
With bolts	no
Nominal cross-section, max.	2.5 mm <sup>2</sup>
Nominal cross-section, min.	1.5 mm <sup>2</sup>
Pipe entries Ø 20 mm	8
Impact-resistant	yes
Protection rating	IP30
Airtight	no
Rated voltage	400 V