

Technical data sheet

Hot-dip galvanised steel sleeve, without thread

Item number: 2046624



Accessory part: plug-in sleeve for the connections between electrical installation pipes. With burr-free inner wall.



St Steel

FT Hot-dip galvanised

Master data

Item number	2046624
Type	SV40W FT
Description 1	Conduit plug-in coupler
Description 2	without thread
Manufacturer	OBO
Dimension	Ø40mm
Material	Steel
Surface	Hot-dip galvanised
Surface standard	DIN EN ISO 1461
Smallest sales unit	25
Unit of quantity	Piece
Weight	14.4 kg
Weight unit	kg/100 pc.

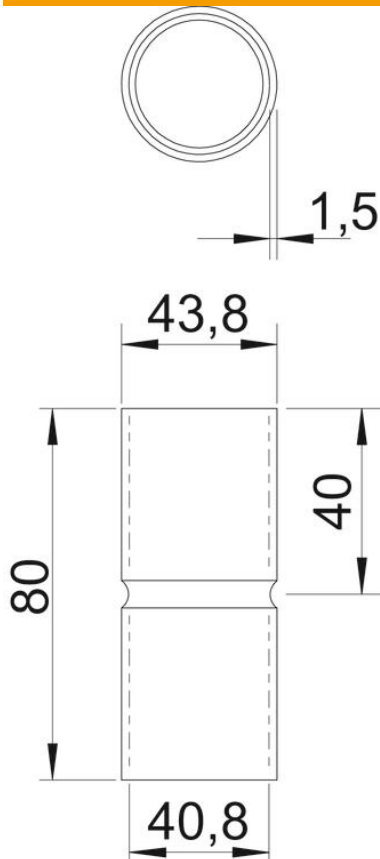
Technical data sheet

Hot-dip galvanised steel sleeve, without thread

Item number: 2046624



Dimensions



Length	80 mm
Dimension D	43.8 mm
Dimension d	40.8 mm
Dimension L	80 mm
Dimension l	40 mm
Dimension m (mm)	M40
Dimension t	1.5 mm

Technical data

Version for pipe diameter	40 mm
Size	40
Halogen-free	yes
With inspection opening and lid	no
Brushed surface	no
Polished surface	no
Permitted temperature range, max.	400 °C
Permitted temperature range, min.	-45 °C
Two-part	no