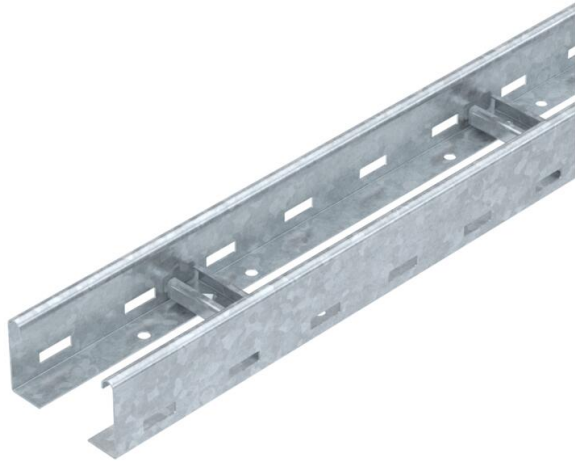


Technical data sheet

Cable ladder LCIS 60, 3 m C30 FT

Item number: 6209719



Cable ladder with a 60 mm side height with welded C30 profile rungs which are open in an upwards direction. Rolled side rail for reinforcement and as edge protection. Fastening to the bracket takes place using hold-down clamps, type LKS 40. The slot dimension of the rung is 16.5 mm and the appropriate clamp clip is type 2056.
Magnetic shield insulation without cover 10 dB, with cover 15 dB.



St

Steel

FT

Hot-dip galvanised

Master data

Item number	6209719
Type	LCIS 610 3 FT
Description 1	Cable ladder
Description 2	perforated rung, welded
Manufacturer	OBO
Dimension	60x100x3000
Material	Steel
Surface	Hot-dip galvanised
Surface standard	DIN EN ISO 1461
Smallest sales unit	3
Unit of quantity	Metre
Weight	260.667 kg
Weight unit	kg/100 m

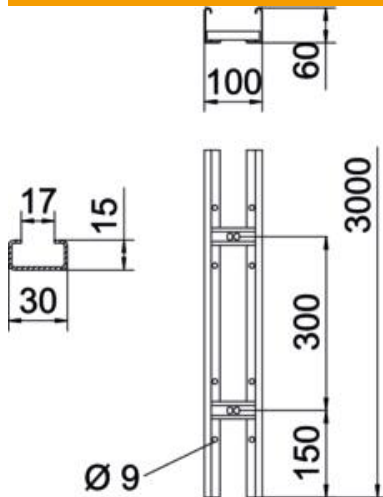
Technical data sheet

Cable ladder LCIS 60, 3 m C30 FT



Item number: 6209719

Dimensions



Length	3,000 mm
Length	3,000 ft
Width	100 mm
Height	60 mm
Dimension B	100 mm

Technical data

Version of the rungs	Profile perforated
Side rail version	Flat profile
Fastening of rung	Welded
Maintain electrical functions	no
Usable cross-section	40 cm ²
Usable cross-section	4000 mm ²
Rustproof steel, pickled	no
Side perforation	yes
Rung distance	300 mm
Wide-span version	no
Rail thickness	1.5 mm

Loads

Insertable support spacings, min.	1.5 m
Insertable support spacings, max.	4 m
Support spacing 1.5 m	2.8 kN/m
Support spacing 2.0 m	1.3 kN/m
Support spacing 2.5 m	0.8 kN/m
Support spacing 3.0 m	0.6 kN/m
Support spacing 4.0 m	0.25 kN/m