

# Technical data sheet

## Cover lifter for chequer plate cover

Item number: 6049285



Using the cover lifter, chequer plate covers installed with cover clamps can be dismantled quickly and simply.

Position the cover lifters as pairs on the cover clamps and remove the chequer plate cover evenly. Repeat lengthways until the entire cover is removed. Alternatively, the cover lifter can be used as a template for the connector perforation with cable trays cut during construction. For this, turn the cover lifter through 180° and position on the cable tray. Then use the perforation template appropriate to the side height.



**St** Steel

**FS** Strip galvanized

### Master data

Item number	6049285
Type	DH DBKR FS
Description 1	Cover lifter
Description 2	for chequer plate cover
Manufacturer	OBO
Dimension	150x200x33
Material	Steel
Surface	Strip galvanized
Surface standard	DIN EN 10346
Smallest sales unit	1
Unit of quantity	Pair
Weight	22.1 kg
Weight unit	kg/100 pairs

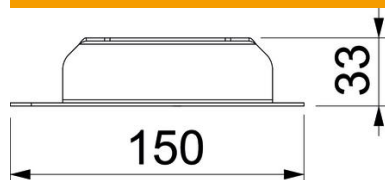
# Technical data sheet

## Cover lifter for chequer plate cover

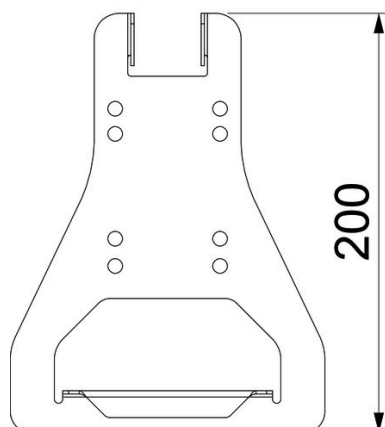
Item number: 6049285



### Dimensions



Length	200 mm
Width	150 mm
Height	33 mm



### Technical data

Halogen-free	no
With hand protection	yes
Rustproof steel	no
Impact-resistant	no
Symmetrical	yes